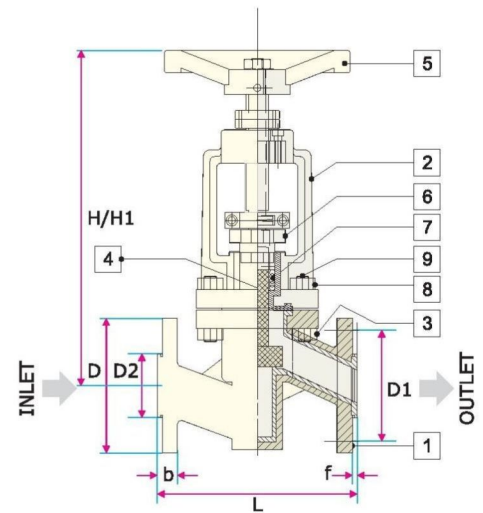


LINED GLOBE VALVE STRAIGHT TYPE



Material Specification

| NO. | DESCRIPTION | QTY. | MATERIAL |
|-----|-------------|------|---|
| 1 | BODY | 1 | WCB A216+PFA LINED LINING THICKNESS: 3mm |
| 2 | BONNET | 1 | CS+PFA LINED |
| 3 | PLUG | 1 | AISI 410+ PFA LINED |
| 4 | STEM | 1 | AISI 410+ PFA LINED |
| 5 | HANDWHEEL | 1 | CS/CI |
| 6 | GLAND COVER | 1 | CS/MS |
| 7 | GLAND | 1 | PTFE |
| 8 | NUT | — | HT STEEL PLATED |
| 9 | STUD | 1 | HT STEEL PLATED |



HYDRO PRESSURE:

1/2" TO 4"

BODY : 225 PSI
SEAT : 165 PSI

5" TO 8"

BODY : 135 PSI
SEAT : 105 PSI

Dimensional Table

| DN | D | D1 | D2 | L | b | f | H/H1 | Z-ØD |
|--------|-------|-------|-------|-------|------|------|-------------|---------|
| 1/2" | 3.74 | 2.36 | 1.38 | 5.12 | 0.47 | 0.12 | 9.45/10.43 | 4-Ø0.59 |
| 3/4" | 4.13 | 2.76 | 1.69 | 5.191 | 0.47 | 0.12 | 9.45/10.43 | 4-Ø0.59 |
| 1" | 4.25 | 3.13 | 2.01 | 6.30 | 0.49 | 0.12 | 10.63/11.61 | 4-Ø0.59 |
| 1 1/4" | 4.61 | 3.50 | 2.52 | 7.09 | 0.71 | 0.12 | 10.91/11.89 | 4-Ø0.59 |
| 1 1/2" | 5.08 | 3.86 | 2.87 | 7.87 | 0.71 | 0.12 | 13.27/14.65 | 4-Ø0.59 |
| 2" | 5.98 | 4.76 | 3.62 | 9.06 | 0.71 | 0.12 | 13.86/15.43 | 4-Ø0.75 |
| 2 1/2" | 7.01 | 5.51 | 4.13 | 11.42 | 0.79 | 0.12 | 15.35/16.81 | 4-Ø0.75 |
| 3" | 7.48 | 6.00 | 5.00 | 12.20 | 0.87 | 0.12 | 16.73/18.31 | 4-Ø0.75 |
| 4" | 9.02 | 7.52 | 6.18 | 13.78 | 0.94 | 0.12 | 18.11/19.80 | 4-Ø0.75 |
| 5" | 10.00 | 8.50 | 7.32 | 15.75 | 1.02 | 0.12 | 19.96/24.24 | 8-Ø0.87 |
| 6" | 10.98 | 9.49 | 8.50 | 18.90 | 1.10 | 0.12 | 22.05/24.61 | 8-Ø0.87 |
| 8" | 13.50 | 11.73 | 10.63 | 19.49 | 1.18 | 0.12 | 26.38/29.33 | 8-Ø087 |

PCD as per ANSI B 16.5 Standard, 150#

Notes:

- Manufacturing Standards**
Design : EN 13397 : 2002
(BS 5156)
Face To Face Dimension: EN-558-1 Series 1
- Spark Test**
15 KVDC
- Standard Resin Specifications For Lining**
PTFE : ASTM D 1457
PVDF : ASTM D 3222
PFA : ASTM D 3307
FEP : ASTM D 2116
- Material**
CS : ASTM A 216 GR. WCB
SS : ASTM A 351 CF 8/ASTM A 351 CF8 M